

Product Information

Gasdetect

Gas warning system for chlorine, chlorine dioxide and ozone



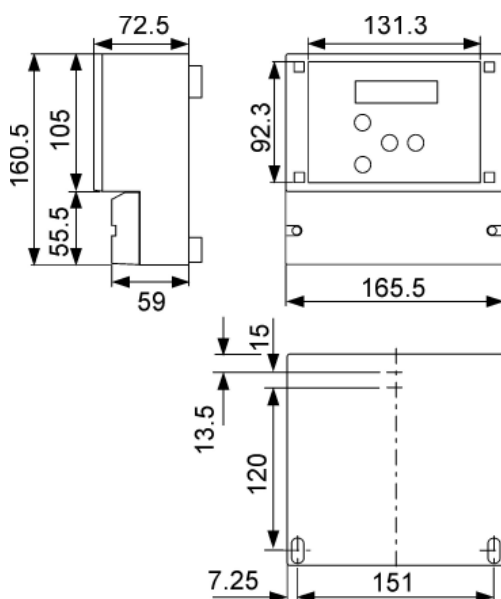
The safety system monitors your gas dosing systems and storage rooms

- Measurement of two gases at the same time, if required
- Simultaneous display of both measured values

Technical highlights

- Audible and visible signals
- Optimum safety owing to the automatic sensor test function
- Very short response time in case of a sudden change of the gas concentration
- Long maintenance-free service life of the sensor

Measurements



Technical data

Electronics	I ² -C-Bus technology
Accuracy	± 1 %
Display	LCD, 2 lines, 2 x 16 characters
Indication mode	Both sensors' measured values are indicated in ppm
Relay outputs	4 potential-free relay outputs (make contact) for the limit values of both sensors, max. 250 V/6 A, max. 550 VA
Signal inputs	2 measured value inputs (for sensor 1 and 2)
Signal outputs	2 analog outputs (0) 4 -20 mA, max. load 400 Ohm, assigned to the 0-5 ppm range
Sensor test	Automatically, test cycle adjustable to every 0.5 up to 14 days
Admissible temperature	Operation: 0 to 50 °C Storage: -20 to +65 °C
Admissible relative air humidity	max. 90 % at 40 °C (not condensing)
Power supply	230/240 V ± 10% (50/60 Hz) or 115/120 V ± 10% (50/60 Hz)
Power consumption	approx. 5 VA
Protection degree	IP 65 for wall mounting enclosure
Weight	approx. 0.8 kg

Order data

Gas warning unit Gasdetect	Order No.
230/240 V (50/60 Hz)	307-2000
115/120 V (50/60 Hz)	307-2001

Accessories

Description	Order No.
Horn, enclosure ABS, grey, IP 55	
230 V (50/60 Hz), nominal current 100 mA	515-1003
115 V (50/60 Hz), nominal current 200 mA	515-1004
Flashlight, red, enclosure ABS, grey, IP 54, for outdoor and indoor installation	
230 V (50/60 Hz), nominal current 50 mA	515-1005
115 V (50/60 Hz), nominal current 60 mA	515-1006

ALLDOS

A Grundfos company

Amperometric gas sensors

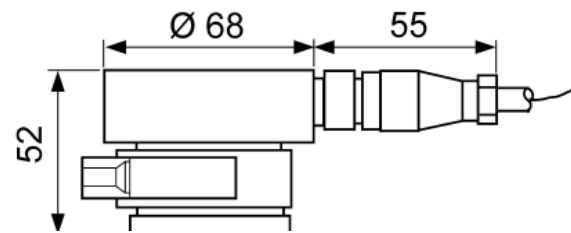
314-011 for Cl_2 or ClO_2
314-013 for O_3



General data

Measuring range	0 - 5 ppm
Accuracy	± 10%
Response time	Approx. 2 s
Recovery time after gas escape	Approx. 10 to 15 min
Guaranteed service life	9 months (if the gas concentration is within the measuring range)
Expected service life	12 months
Admissible temperature	Operation: 5 to 45 °C Storage: 0 to 45 °C
Admissible relative air humidity	Max. 90 % at 40 °C (not condensing)
Weight	Approx. 250 g

Measurements



Order data

Description	Order No.
Amperometric sensor for Cl_2 and ClO_2 complete with wall support	314-011
Amperometric sensor for O_3 complete with wall support	314-013

Spare parts for gas sensors

Description	Order No.
Spare sensor disk for 314-011	553-1011
Spare sensor disk for 314-013	553-1000

Presented by:

© 2005 by ALLDOS Eichler GmbH

www.alldos.com

Subject to change!