

Vaccuperm Geco 103 and Geco 111/113

High-quality low-budget chlorine gas dosing systems

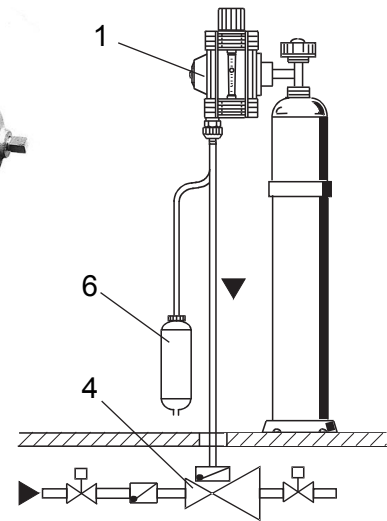


Vaccuperm Geco 103-100 compact dosing unit

- Vacuum regulator and dosing unit in one device for direct mounting on a chlorine gas cylinder
- Complete with injector, vacuum line and spare gaskets



Geco 103-100 with USA yoke



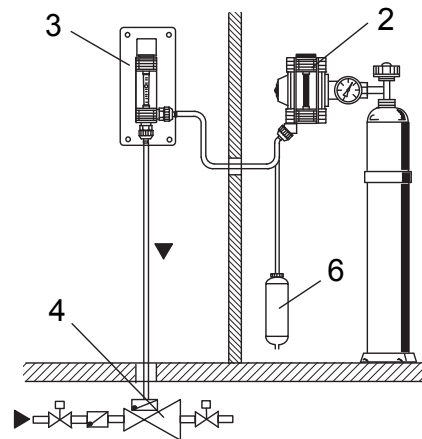
Dosing unit 113

Vaccuperm Geco 111/113 modular system

- Vacuum regulator 111 for direct mounting on a chlorine gas cylinder
- Dosing unit 113 for separate wall mounting
- Up to 10 m of vacuum line between both devices

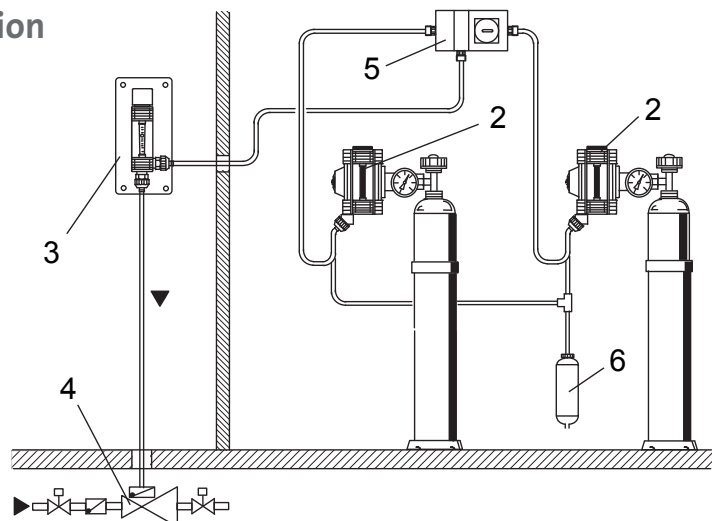


Vacuum regulator 111



Vaccuperm Geco 111/113 dosing station with vacuum change-over device

- Continuous chlorine gas dosing without interrupting the process
- 2 vacuum regulators for mounting on chlorine cylinders
- Dosing unit for separate wall mounting
- If the first cylinder is empty, the U 189 device immediately changes over to the next vacuum regulator at the full chlorine cylinder



1 103-100

2 111-102

3 113-110

4 Injector 545

5 Vacuum change-over device 189

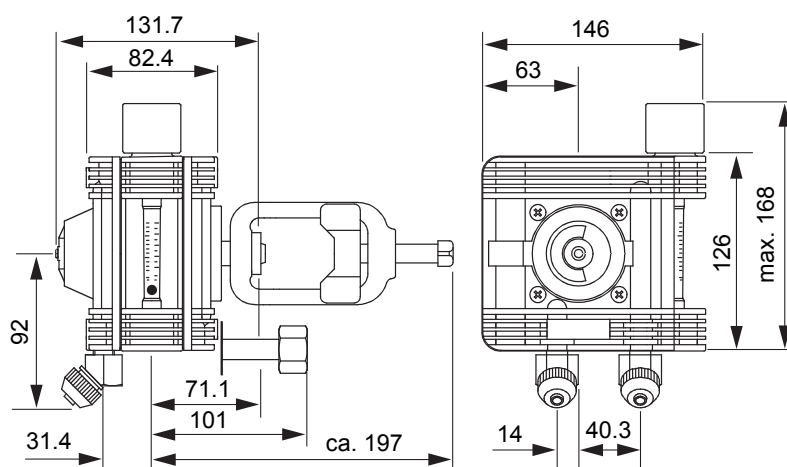
6 Chlorine gas absorption cylinder 524

Technical data

Medium	Chlorine gas	
Capacity ranges	5 - 100 g/h, 10 - 250 g/h, 25 - 500 g/h, 50 - 1000 g/h, 100 - 2000 g/h, 150 - 3000 g/h, 400 - 4000 g/h	
Adjustment ratio	1 : 20	
Accuracy	± 4 %	
Measuring device	According to the floater principle, measuring tube 70 mm	
Empty indication	Automatic visible signal for lack of chlorine	
Materials	Enclosure: Inlet valve: Springs: Diaphragm: Rate valve: O rings: Yoke:	PVC Silver/PTFE, special alloy Hastelloy C coated FEP PVC Viton B Cast, nickel plated
Connections	Pressure gas: Vacuum safety line: Injector water connections:	USA yoke, option: union nut PE hose 8/11 ¾" hose / ¾" NPT up to 1000 g/h; 1" hose / 1" NPT up to 2000 g/h; 1 ¼" hose / 1 ¼" NPT up to 4000 g/h
p_{max} (water)	Motive water pressure at the injector: 16 bar	Backpressure at the injector outlet: 5 bar
Weight	1.3 up to 2 kg	

Measurements Vaccuperm Geco 103-100 compact unit

Description	Part No.
<ul style="list-style-type: none"> dosing unit with pressure gas connection USA yoke injector with non-return diaphragm, backpressure up to 5 bar 10 m vacuum line (PE hose 8/11) gaskets for yoke connection, gasket set 	103-100



Measurements in mm

Vaccuperm Geco 103-100 variants

> Please select the required capacity

Capacity	Injector connection
5 - 100 g/h	¾" hose / ¾" NPT
10 - 250 g/h	
25 - 500 g/h	
50 - 1000 g/h	1" hose / 1" NPT
100 - 2000 g/h	
150 - 3000 g/h	1 ¼" hose / 1 ¼" NPT
400 - 4000 g/h	

Other cylinder connection for 103-110 > optionally:

- Union nut 1"
- Union nut G 5/8"
- Union nut G 3/4"

Further options for 103-100 > please indicate:

- **Manometer** 0 to 16 bar, NG 63
- **Residual pressure control** 2 bar
- **Liquid trap**, heating 230 V, cable with Euro plug

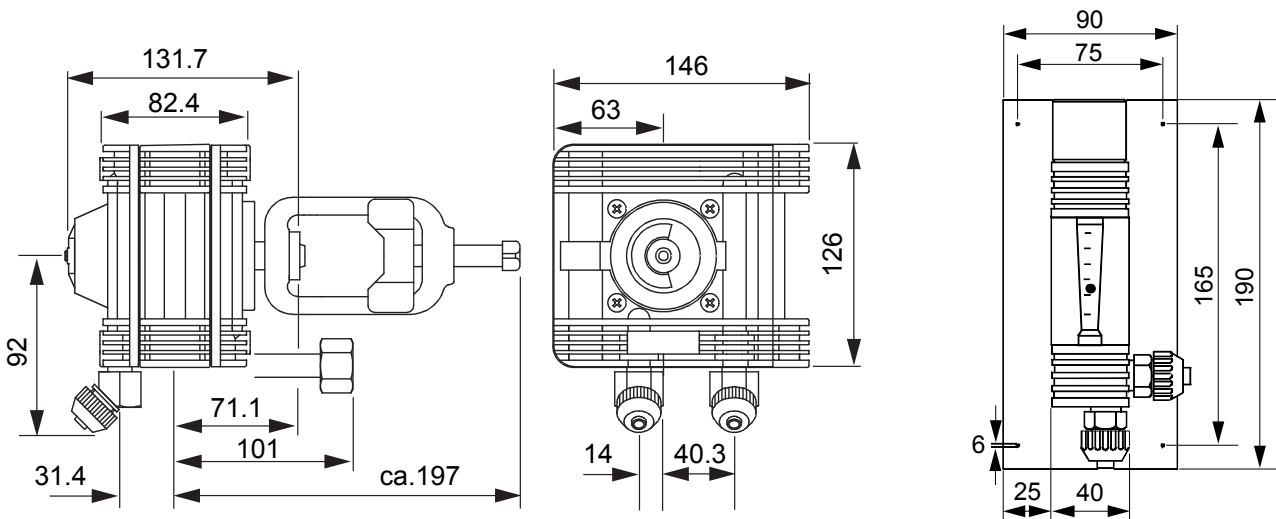
Vaccuperm Geco 111/113 modular system

The 111-102 vacuum regulator and the 113-110 dosing unit can be installed separately.

Vacuum regulator 111



Dosing unit 113



Measurements in mm

Vacuum regulator

Description	Type
<ul style="list-style-type: none"> • maximum dosing quantity 4000 g/h Cl₂ • with pressure gas connection USA yoke • with 10 m of vacuum line (PE hose 8/11) and vacuum connection 	111-102

Other cylinder connection for vacuum regulator 111-102 > optionally:

- Union nut 1"
- Union nut G 5/8"
- Union nut G 3/4"

Dosing unit

Description	Type
<ul style="list-style-type: none"> • for operation with 111-102 vacuum regulator • separate wall mounting • measuring cylinder with manual rate valve 	113-110

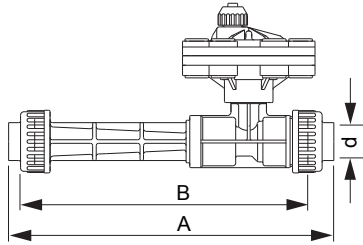
Dosing unit 113-110 variants

Please indicate the capacity (measuring range)	
5 - 100 g/h	100 - 2000 g/h
10 - 250 g/h	150 - 3000 g/h
25 - 500 g/h	400 - 4000 g/h
50 - 1000 g/h	

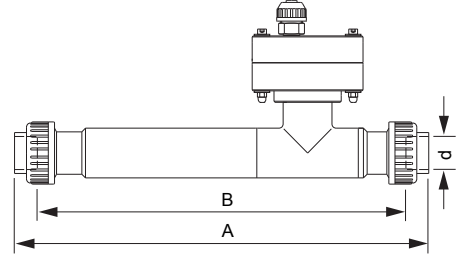
PVC injectors for Vaccuperm Geco 111/113

With non-return diaphragm, FEP diaphragm, PTFE piston, PTFE coated spring

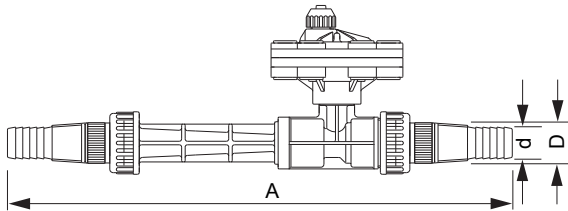
Injectors DN 20 545-1000-1 / 545-2000-1 / 545-4000-1



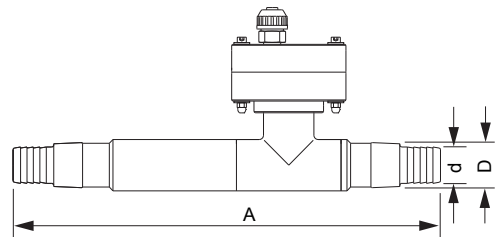
Injectors DN 25 545-3030-1 / 545-4040-1



Injectors 3/4" 545-1000-2 / 545-2000-2 / 545-4000-2
Injectors 1" 545-1000-3 / 545-2000-3 / 545-4000-3



Injectors 1 1/4" 545-3030 / 545-4040



Measurements in mm

Technical data / Order data

Please indicate the admission pressure and the backpressure.

Max. capacity (g/h)	Water flow (l/h)	Adm. press. (bar)	Backpressure (bar)	Type	Measurements			
					d	D	A	B
Water connections 3/4" hose / 3/4" NPT, vacuum connection 8/11								
500	550 - 1350	2 - 16	0 - 7	545-1000-2	3/4" hose	3/4" NPT	400	-
1000	850 - 2200	2 - 16	0 - 7	545-2000-2				
Water connections 1" hose / 1"-NPT, vacuum connection 8/11								
500	550 - 1350	2 - 16	0 - 7	545-1000-3	1" hose	1" NPT	430	-
1000	850 - 2200	2 - 16	0 - 7	545-2000-3				
2000	1350 - 3300	2 - 16	0 - 7	545-4000-3				
Water connections DN 20/ tube diameter 25 mm, vacuum connection 8/11								
500	550 - 1350	2 - 16	0 - 7	545-1000-1	DN 20	-	275	237
1000	850 - 2200	2 - 16	0 - 7	545-2000-1				
2000	1350 - 3300	2 - 16	0 - 7	545-4000-1				
Water connections 1 1/4" hose / 1 1/4" NPT, vacuum connection 8/11								
3000	2500 - 4300	4 - 15	0.5 - 6.5	545-3030	1 1/4" hose	1 1/4" NPT	400	-
4000	3400 - 4700	4 - 8	0.5 - 3	545-4030				
Water connections DN 25/ tube diameter 32 mm, vacuum connection 8/11								
3000	2500 - 4300	4 - 15	0.5 - 6.5	545-3030-1	DN 25	-	400	356
4000	3400 - 4700	4 - 8	0.5 - 3	545-4030-1				

Spare parts sets for PVC injectors

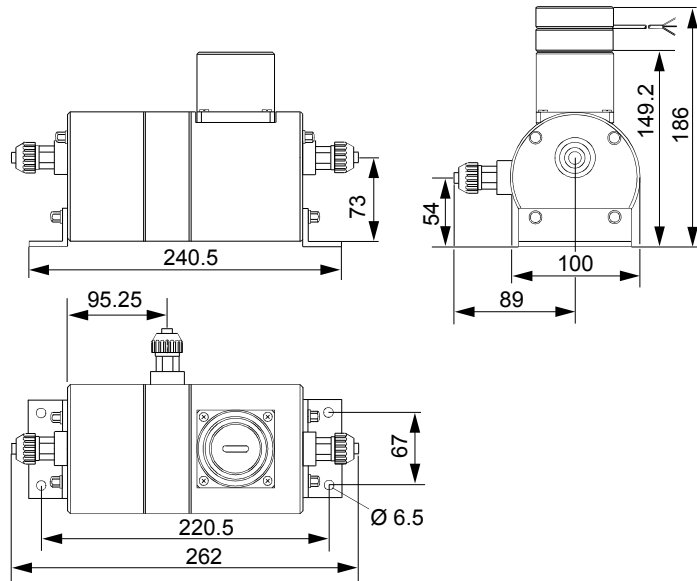
Comprising O-rings, flat gasket, PTFE piston, valve seat and diaphragm

for injectors	Order No
545-1000-x / -2000-x / -4000-x	553-1050

for injectors	Order No
545-3030 / -3030-1 / -4030 / -4030-1	553-1295

Vacuum change-over device

for combining 2 vacuum regulators with 1 dosing unit, vacuum connections for PE hose 10/14



Measurements in mm

Order data

Description	Type
with optical indication of the position battery I or battery II (please indicate)	189-010

Option > please indicate:

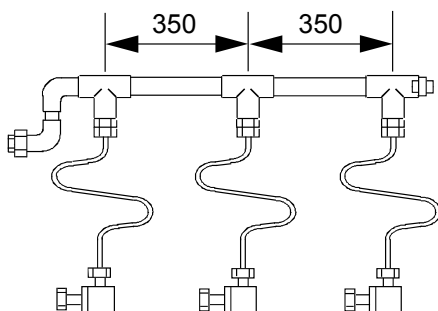
- Additionally with 2 Reed contacts for remote transmission of the empty signal, max. 50 V/1 A/50 W

Accessories for empty indication

Description	Order No
Display unit for empty indication, 115 V	332-2012
Display unit for empty indication, 230 V	332-2015
Wall mounting enclosure for display unit	300-210

Chlorine cylinder header line

Lacquered steel header tube acc. to DIN 2441, flexible copper lines and connection valves, connection yoke USA



Measurements in mm

Order data

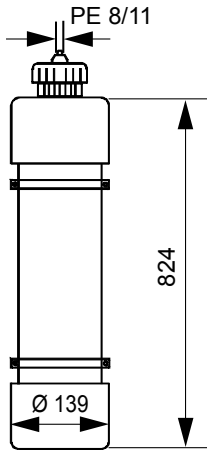
Number of cylinders	Type	
	without liquid trap	with liquid trap
2	542-622	542-632
3	542-623	542-633

Please indicate, if you require other cylinder connection valve threads:

- 1"
- G 3/4"
- G 5/8"
- 1 1/4"

Chlorine gas absorption cylinder

PVC, connection for PE tube 8/11, 5 l contents, filled with 4 kg absorbent, absorption capacity 450 g Cl₂, including fixing accessories



Measurements in mm

Order data

Description	Order No
Absorption cylinder, filled	524-311
4 kg of granulate for refilling	553-225

Installation accessories

Description	Order No
Chlorine cylinder holding clip for cylinder ϕ of about 270 mm	505-018
PE hose 8/11 (please indicate the required length in meters)	526-131/xx
Vacuum connection set 10 m of PE hose 8/11 and 2 T pieces with connection screwings	526-133

Spare parts sets

Description	Order No
Spare parts set for compact unit Geco 103-100: O-rings, filter, valve seat, pressure spring, safety ring, valve cartridge, flat gasket, PTFE piston	553-1704
Spare parts set for vacuum regulator Geco 111-102: O-rings, filter, valve seat, pressure spring and safety ring	553-594.2
Spare parts set for dosing unit 113-110: O-rings, flat gasket, valve seat and safety ring	553-597
Complete set, comprising: spare parts set 553-1704 for compact unit and spare parts set 553-1050 for injector	553-1706

91834787 0307	EN
15.810002 V3.0	

Subject to change.