

Status Transfert

Transmitter **A** ^{RF30} --> Receiver **A** ^{RF30}

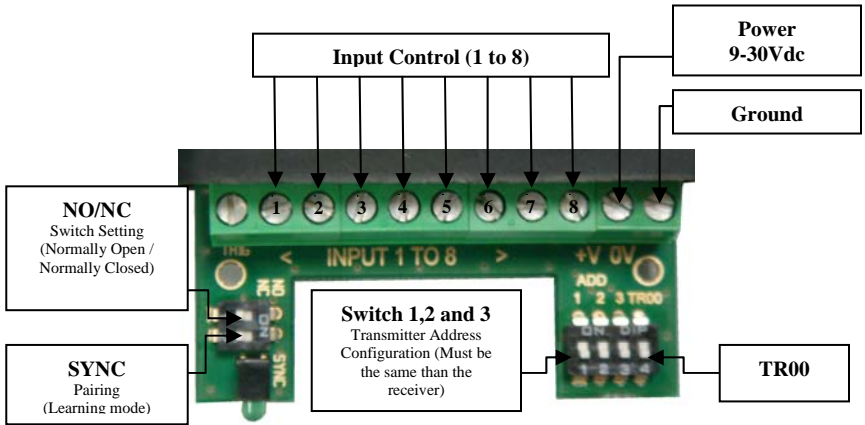


ARF6188E

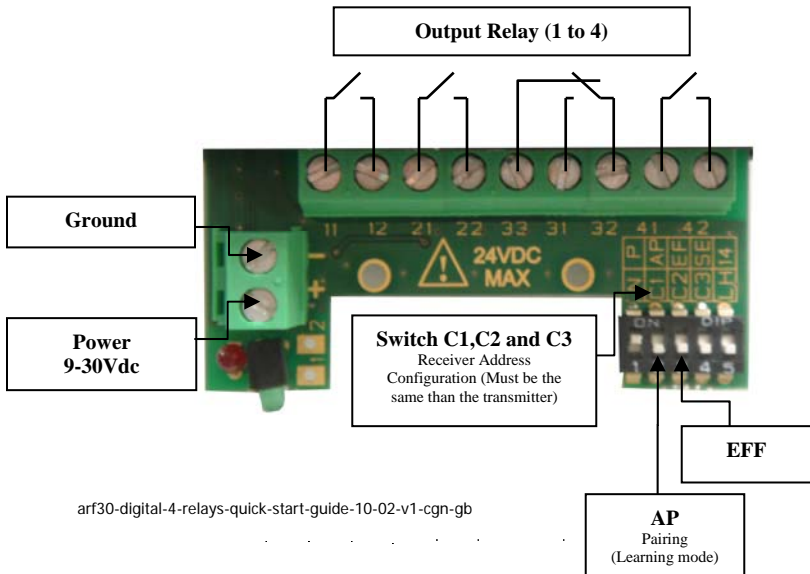
ARF6678E

Quick Start Guide

1 – User Interface Transmitter



2- User Interface Receiver



3- Learning Procedure

All the switches must be put on OFF position.

- **Leds Status in starting product**
 - o [Transmitter] Green Led ON
 - o [Receiver] Red Led BLINKING (once per sec)

If a learning process has already been done on the product, the red led is ON and the green one BLINKS quickly on the receiver.

A new learning process can be done without problem.

- **On the transmitter → Put the switches TR00 and SYNCH to ON**
- **On the receiver → Put the switch AP to ON**
 - o [Receiver] The green led is blinking quickly during the pairing (learning) and becomes ON.
 - o [Receiver] The red led is blinking (once per sec)
- **On the receiver → Put the switch AP to OFF**
 - o [Receiver] → The Green led is OFF
- **On the receiver → Put the switch N/P to ON**
 - o [Receiver] → The red led is ON
 - o [Receiver] → The green led is BLINKING
- **On the transmitter → Put the switch TR00 to OFF**
 - o No led status changes

The learning process can be deleted by putting the switch EFF to ON more than 6 seconds when all the other are OFF.

4- Etats des Leds

Transmitter	Green Led status	Comment
	OFF	Product Power off
	ON	Product Power on

Receiver	Green Led status	Red led status	Comment
	OFF	OFF	Product Power off
	OFF	BLINK 1x/sec	Product in learning mode (pairing)
	ON	BLINK 1x/sec	Product paired / Memory Cleared
	ON	FAST BLINK	Product configured and working